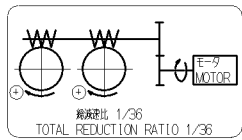
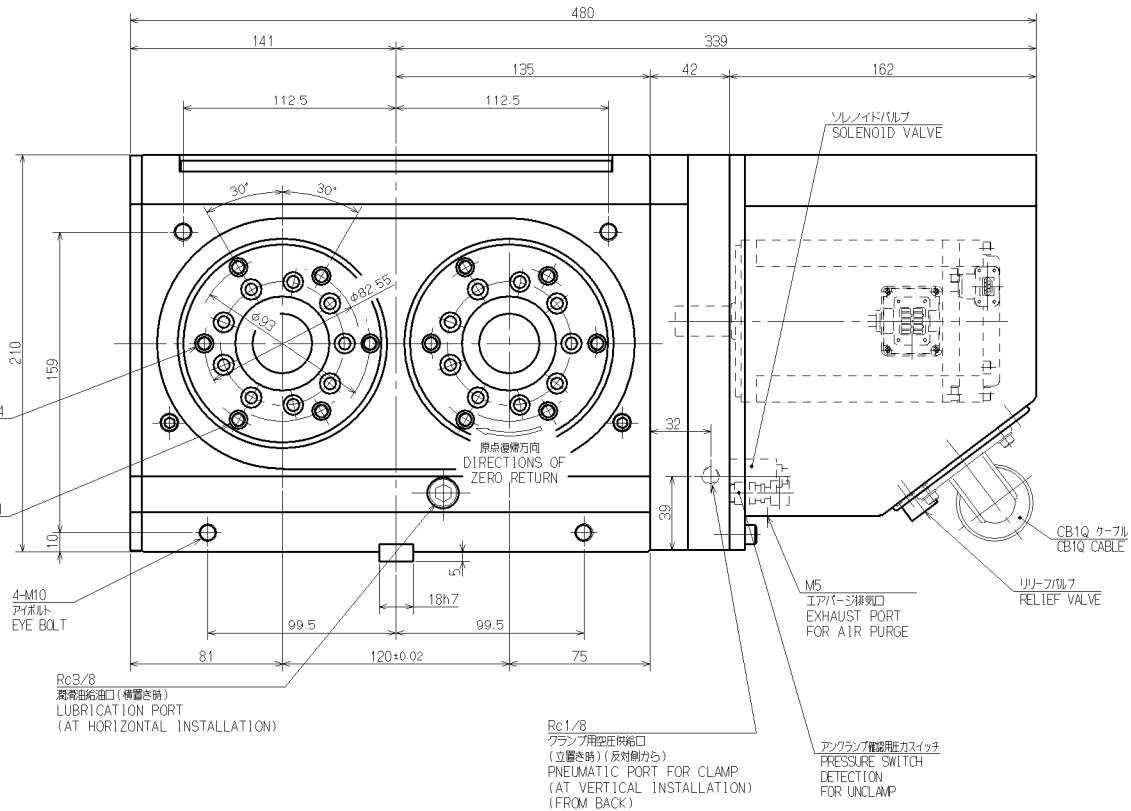
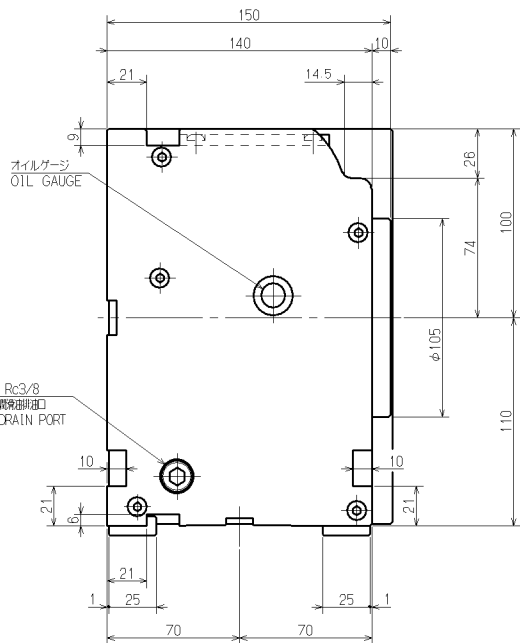
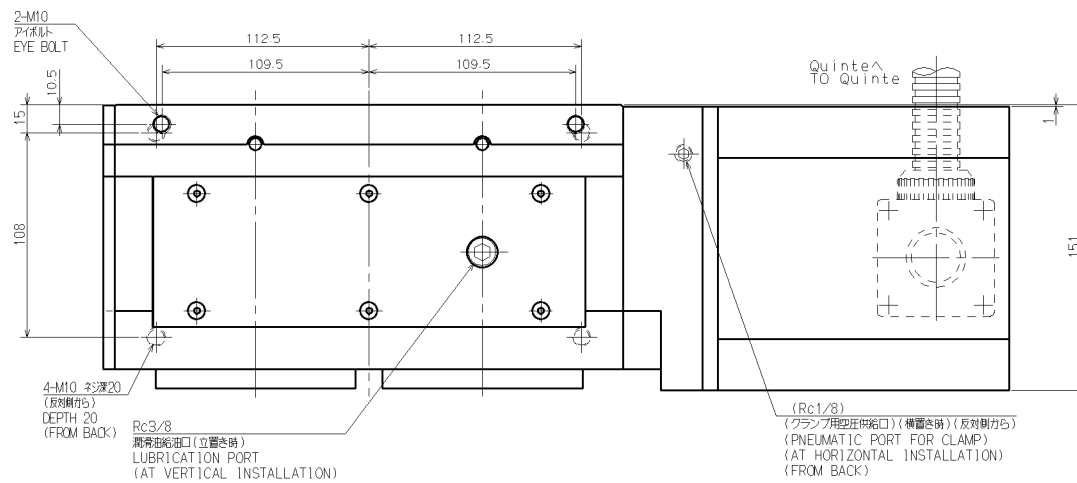
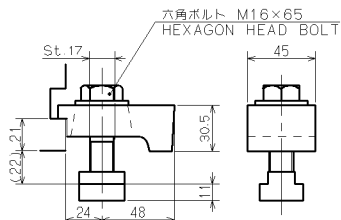


スピンドル穴
SPINDLE THRU-HOLE



総減速比 1/36
TOTAL REDUCTION RATIO 1/36
駆動系スケルトン
SKELTON DRAWING OF DRIVE SYSTEM



六角ボルト M16×65
HEXAGON HEAD BOLT
クランプ器具 付属品 4組
CLAMPING PARTS ACCESSORY 4 PAIR

CAREER			SCALE	TYPE	WEIGHT	k8
MANAGER	CHIEF	DRAWN BY	3RD ANGLE	NAME		
KITAGAWA IRON WORKS CO.,LTD.		DATE		DRW NO.	DHP-TM2100AV00	